

## QUICK SPECS

Weight	5,908 lbs
Horsepower	20.4 hp
Max Dig Depth	10'

# Capabilities packed with lifting capacity.

YANMAR's ViO25-6B, our 2.5-ton class mini excavator, is powered by a 20.4 hp Tier 4 Final YANMAR engine. It gives extra capability around tight corners on job sites with its powerful lifting capacity. With true zero tail swing, it lets you complete your jobs with ease while working around or inside buildings or working on landscaping. Plus, YANMAR's unique SmartAssist Remote system gives you peace of mind with theft prevention and work schedule tools, as well as other remote monitoring services.



## ViO25-6B

**POWERFUL, EFFICIENT, ELECTRONICALLY CONTROLLED 20.4 HP TIER 4 FINAL YANMAR DIESEL ENGINE**

**JOYSTICK PILOT CONTROLS WITH CONTROL PATTERN STANDARD**

**AUXILIARY HYDRAULICS W/ PROPORTIONAL CONTROL STANDARD**

**2-SPEED DRIVE CONTROL STANDARD**

**OPTIONAL ENCLOSED CAB WITH HEAT**

**HYDRAULIC QUICK COUPLER**

**DIGITAL CONTROL SYSTEM**

**INTUITIVE CONTROLS AND COMFORTABLE OPERATOR STATION**

## INNOVATIVE FEATURES



### Advanced Operation Control System

The digital Smart Assist control system allows you to monitor up to three months of operational history. Because this state-of-the-art system centralizes control of machine operation information and maintenance support information, it's never been easier to maintain a timely, efficient service process.



### YANMAR's Patented Quick Coupler System

The standard hydraulic Quick Coupler makes changing buckets fast and easy. With the exception of fitting and removing the safety lock pin, the entire operation is performed electronically while you're seated in the comfort of the cab. Less hassle. Less downtime. More productivity.

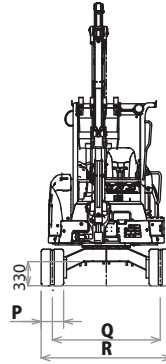
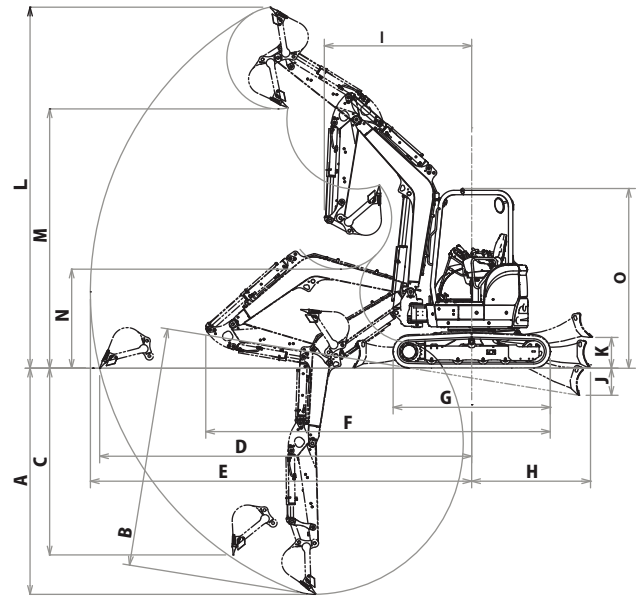
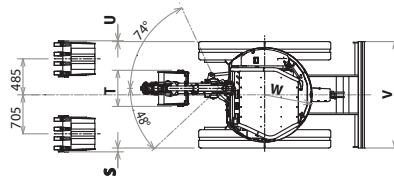


### Easier To Service Than Your Car

The innovative design puts virtually every major component – engine, hydraulic system, starter, alternator, and battery – right at your fingertips. Because routine filter and grease fitting checks are easier and quicker, you can perform them more often, extending the life of and improving the durability of your machine.



# Vi025-6B



## Dimensions - Vi025-6B

<b>A</b> 10 ft. (3,050 mm)	<b>M</b> 9 ft. 2 in. (2,785 mm)
<b>B</b> 10 ft. (3,050 mm)	<b>N</b> 1' 10" (550 mm)
<b>C</b> 7 ft. 5 in. (2,250 mm)	<b>O</b> 8 ft. 3 in. (2,525 mm)
<b>D</b> 13 ft. 6 in. (4,120 mm)	<b>P</b> 10 in. (250 mm)
<b>E</b> 15 ft. 9 in. (4,805 mm)	<b>Q</b> 4 ft. 1 in. (1,250 mm)
<b>F</b> 13 ft. 5 in. (4,090 mm)	<b>R</b> 4 ft. 11 in. (1,500 mm)
<b>G</b> 6 ft. 8 in. (2,040 mm)	<b>S</b> 6 in. (145 mm)
<b>H</b> 4 ft. 6 in. (1,385 mm)	<b>T</b> 1 ft. 7 in. (480 mm)
<b>I</b> 6'6" (1,980mm)	<b>U</b> 1.2 in (30 mm)
<b>J</b> 1 ft. 2 in. (355 mm)	<b>V</b> 4 ft. 11 in. (1,500 mm)
<b>K</b> 1' 3" (380 mm)	<b>W</b> 2 ft. 6 in. (755 mm)
<b>L</b> 14 ft. 9 in. (4,490 mm)	

## Specifications

Model		Vi025-6B	
Type		Canopy	Cabin
<b>Operating Weight</b>	Rubber track	lbs (t)	5,908 (2.68)
	Steel track	lbs (t)	6,151 (2.79)
<b>Engine</b>	Type	Water-cooled 4-cylinder diesel	
	Model	Tier 4 Final 3TNV80F-SXNBV	
	Rated Output	HP (kW)/rpm	20.4 (15.2)/ 2,500
<b>Performance</b>	Max Digging Force, Bucket / Arm	lbs (kN)	w/ QC - 4,788 (21.3) / 2,833 (12.6)
	Traveling Speed, High / Low	MPH (km / h)	2.8 (4.5) / 1.7 (2.8)
	Swing Speed	RPM	10
	Boom Swing Angle, (L / R)	degrees	48 / 74
<b>Ground Contact Pressure (Rubber Track)</b>		PSI (kPa)	4.4 (30.1)      4.5 (31.3)
<b>Hydraulic System</b>	Pump Capacity	GPM (L / min)	Double variable displacement pump: 2*7.9 (2*30)
	Main Relief Set Pressure	PSI (MPa)	2,987 (20.6) x 2, 2,631 (18.1) x 1
<b>Blade Dimensions</b>	Width	ft-in (mm)	4'11" (1,500)
	Stroke, Raise / Lower from G.L.	ft-in (mm)	1' 2" (355) / 1' (310 mm)
<b>Fuel tank capacity</b>		Gals (L)	8 (30.3)

## Standard Equipment

- Hydraulic Quick Coupler
- Backfill Dozer Blade
- Boom Swing Function
- Rubber Track
- Arm End Auxiliary Valve
- Back Mirror
- 2-way Pattern Control
- ROPS / FOPS Canopy, Cabin
- Windshield Washer
- Joystick Pilot Controls
- Arm Rests (Adjustable)
- Suspension and Reclining Seat
- Seat Belt
- Proportional Auxiliary Hydraulics Control
- Automatic Dual Speed
- Travel Switch
- Auto Deceleration Switch
- Eco Mode Switch
- Engine Stop Switch
- Traveling Alarm
- Floor Mats
- 4-Point Tie Down

Please note that the standard equipment may vary from this list. Consult your YANMAR dealer for confirmation.

## Hydraulic PTO

Model	Vi025-6B	
Specification	Output	GPM (L / min)
	Combined Flow, Double Actions	PSI (MPa)
	2,262 (15.6)	14 (53)

## Lifting Capacity

LIFT POINT HEIGHT h.in (mm)	(r) LIFT RADIUS in. (mm)				(r) LIFT RADIUS in. (mm)				(r) LIFT RADIUS in. (mm)			
	RATED LIFT CAPACITY OVER END BLADE DOWN lbs (kg)				RATED LIFT CAPACITY OVER END BLADE UP lbs (kg)				RATED LIFT CAPACITY OVER SIDE BLADE UP lbs (kg)			
	MAX	98.5 (2,500)	78.7 (2,000)	59.1 (1,500)	MAX	98.5 (2,500)	78.7 (2,000)	59.1 (1,500)	MAX	98.5 (2,500)	78.7 (2,000)	59.1 (1,500)
(3,000)	992 (450)				992 (450)				837 (380)			
(2,500)	1014 (460)	1014 (460)			881 (400)	1014 (460)			727 (330)	1014 (460)		
(2,000)	1036 (470)	1014 (460)			793 (360)	1014 (460)			661 (300)	793 (360)		
(1,000)	1080 (490)	1322 (600)	1675 (760)		705 (320)	1322 (600)	1675 (760)		595 (270)	970 (440)	1675 (760)	
(0)	1146 (520)	1609 (730)	2094 (950)	2888 (1310)	727 (330)	1058 (480)	1388 (630)	1962 (890)	595 (270)	881 (400)	1124 (510)	1521 (690)
(-1,000)	1190 (540)	1543 (700)	2028 (920)	2645 (1200)	859 (390)	1036 (470)	1322 (600)	1918 (870)	705 (320)	837 (380)	1102 (500)	1543 (700)
(-1,500)	1168 (530)		1675 (760)	2116 (960)	1036 (470)		1344 (610)	1851 (840)	881 (400)		1124 (510)	1499 (680)